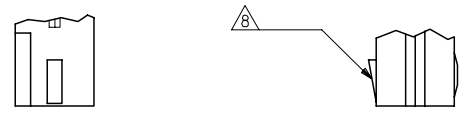
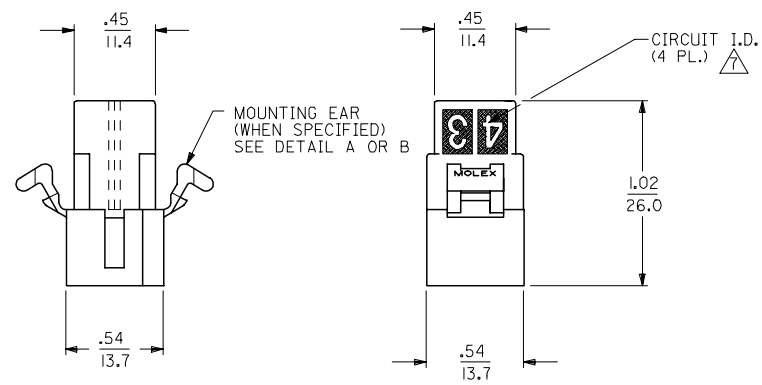
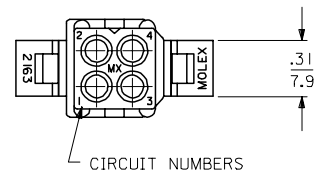
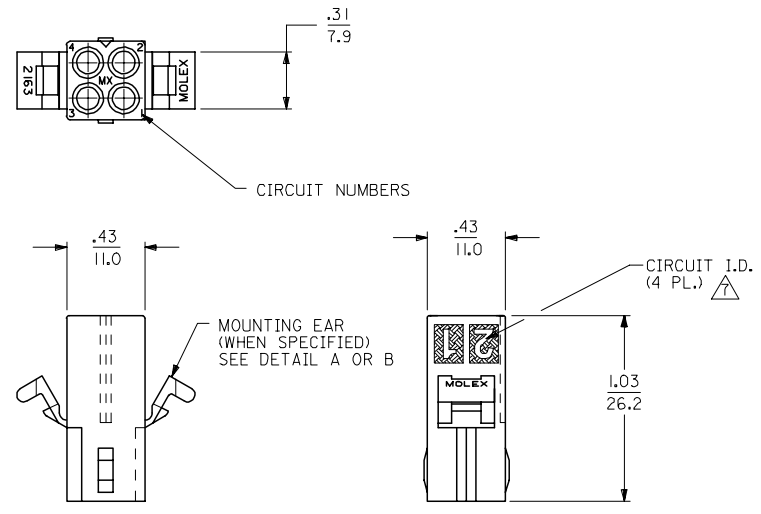


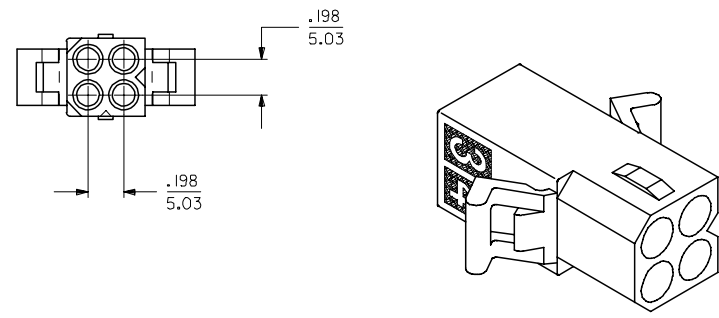
13 12 11 10 9 8 7 6 5 4 3 2 1

RECEPTACLE

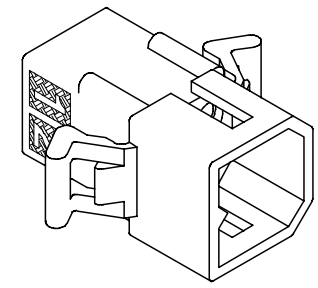
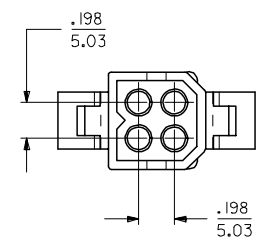
PLUG



OPTIONAL POSITIVE LOCK  
(ONE SIDE ONLY)



SHOWN WITH PREBENT MOUNTING EAR



SHOWN WITH PREBENT MOUNTING EAR

2	I2
1	I2
SHT.	REV.

<b>UPDATE NOTE 4</b> EC NO: UCP2007-0023 DRAWN/PR/DER 2006/07/27 CHKD: AEL/HAG 2006/08/01 APPR: FSM/TH 2006/08/02	QUALITY SYMBOLS ▽=0 ▽=0	GENERAL TOLERANCES (UNLESS SPECIFIED)		DIMENSION STYLE IN/MM		SCALE 2:1	DESIGN UNITS INCH	THIRD ANGLE PROJECTION	
		4 PLACES ± --- ± --- 3 PLACES ± --- ± .010 2 PLACES ± 0.25 ± .014 1 PLACE ± 0.35 ± --- ANGULAR ± --- °	DRAWN BY KBW CHECKED BY RW APPROVED BY RAS	DATE 02/03/89 DATE 02/03/89 DATE 02/03/89	MATERIAL NO. SEE CHART		DOCUMENT NO. SD-2163-*	.093/(2.36) HOUSINGS PLUG & RECEPTACLE 4 CKT., .198/(5.03) CL	
DRAFT WHERE APPLICABLE MUST REMAIN WITHIN DIMENSIONS		THIS DRAWING CONTAINS INFORMATION THAT IS PROPRIETARY TO MOLEX INCORPORATED AND SHOULD NOT BE USED WITHOUT WRITTEN PERMISSION							

12 11 10 9 8 7 6 5 4 3 2 1

PLUG	
ORDER NO	ENG NO
03-09-2040	2163-P
03-09-2049	2163-P1
50-29-0097	2163-PIUV

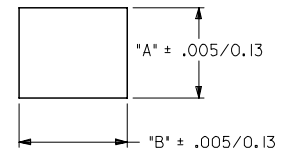
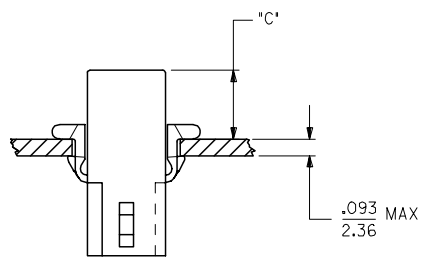
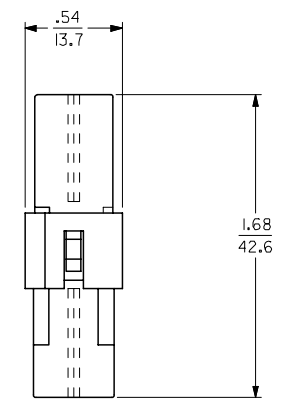
RECEPTACLE	
ORDER NO	ENG NO
03-09-1040	2163-R
03-09-1049	2163-R1
03-09-6049	2163-RIBK
50-29-0098	2163-RIUV

**LEGEND:**

2163-\*\*\*\*  
 P = PLUG  
 R = RECEPTACLE

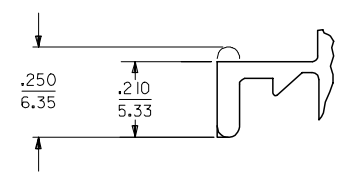
- BLANK = WITH STANDARD EARS  
 1 = WITHOUT EARS  
 2 = WITH PREBENT EARS  
 3 = RECEPTACLE W/ POSITIVE LOCK RAMP, WITHOUT EARS.  
 4 = RECEPTACLE W/ POSITIVE LOCK RAMP, WITH STANDARD EARS.

COLOR:  
 BLANK = NATURAL COLOR  
 AM = AMBER BK = BLACK BU = BLUE  
 BN = BROWN GY = GRAY GN = GREEN  
 OR = ORANGE RD = RED YW = YELLOW  
 UV = BLACK UV RESISTANT

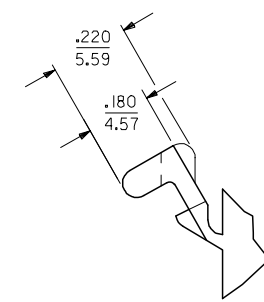


**RECOMMENDED PANEL OPENING**

HOUSING	DIM. "A"	DIM. "B"	"C" PREBENT EAR	"C" STANDARD EAR
PLUG	.555/14.10	.695/17.65	.42/10.7	.38/9.7
RECEPT.	.500/12.70	.600/15.24	.40/10.2	.37/9.4



**DETAIL A**  
 .093/(2.36) STANDARD MOUNTING EAR  
 (SCALE 4:1)



**DETAIL B**  
 .093/(2.36) PREBENT MOUNTING EAR  
 (SCALE 4:1)

**NOTES:**

- MATERIAL: NYLON 6/6 (PA), UL 94V-2.
- FINISH: NONE.
- PRODUCT SPECIFICATION: PS-02-09 APPLIES.
- PARTS TO BE PACKAGED PER PK-2163-001
- MATES WITH: SERIES 2163.
- ACCEPTS MOLEX .093 SERIES TERMINALS.
- CIRCUIT I.D. NUMBERS ON HOUSING APPEAR ON PARTS FROM TOOLS BUILT AFTER 7/22/91.
- POSITIVE LOCK VERSION REQUIRES USE OF A SCREWDRIVER OR SIMILAR TOOL TO LIFT SHROUD ON PLUG HOUSING IN ORDER TO UNMATE RECEPTACLE HOUSING.

UPDATE NOTE 4 FC NO: UCP2007-0023 DRAWN BY: DER 2006/07/27 CHKD: AELHAG 2006/08/01 APPR: FSM TH 2006/08/02	QUALITY SYMBOLS = 0 = 0	GENERAL TOLERANCES (UNLESS SPECIFIED)		DIMENSION STYLE IN/MM		SCALE 2:1	DESIGN UNITS INCH	THIRD ANGLE PROJECTION
		4 PLACES ± --- ± ---	DRAWN BY KBW	DATE 02/03/89	TITLE .093/(2.36) HOUSINGS PLUG & RECEPTACLE 4 CKT., .198/(5.03) CL			
		3 PLACES ± --- ± .010	CHECKED BY RW	DATE 02/03/89	MOLEX INCORPORATED			
		2 PLACES ± 0.25 ± .014 1 PLACE ± 0.35 ± --- ANGULAR ± --- °	APPROVED BY RAS	DATE 02/03/89	MATERIAL NO. SEE CHART	DOCUMENT NO. SD-2163-*	SHEET NO. 2 OF 2	